



Dome Stations

7641 & 7641R Series



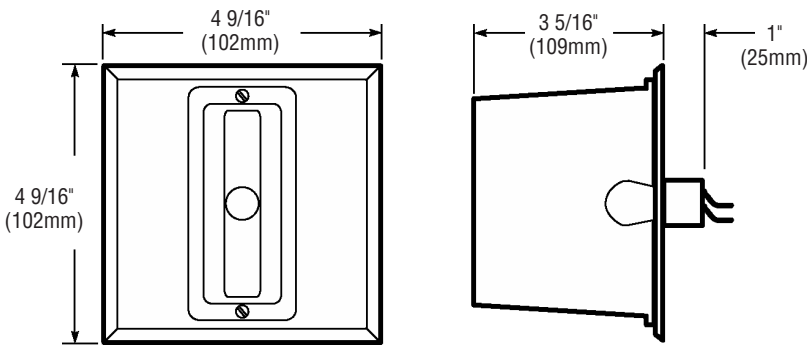
FEATURES

- > Available with 1, 2 or 4 lamps
- > Stainless steel faceplate
- > White or red dome

The Edwards 7641 & 7641R Series Dome Stations are used to visually indicate the placement of calls from a connected pull station. Stations are available with 1, 2 or 4 lamps; the domes, available in white or red, are designed with barriers between the lamps to prevent visual interference of signals.

The 7641 & 7641R mount in a standard single or double gang box with a plaster cover and a minimum depth of 1 1/2" (38mm). Boxes and plaster covers not supplied.

For use above entrances to areas equipped with a pull station. See 7302 Series on page 14-14.



Cat. No.	Description	Volts AC	Dome Color*	Clear Lamp Repl**	VA Per Lamp
7641-1G5	Corridor dome station	24	White	B	4.75
7641-1N5	with 1 white lamp	120	White	A	6.0
7641-2G5	Corridor dome station with	24	White	B	4.75
7641-2N5	2 lamps (1 white, 1 red***)	120	White	A	6.0
7641-4G5	Corridor dome station with	24	White	B	4.75
	4 lamps (2 white, 2 red***)				
7641R-1G5	Corridor dome stations with	24	Red	B	4.75
7641R-1N5	1 white lamp	120	Red	A	6.0

*Dome replacement - White: P-047047-0006 Red: P-047047-0008
 **A - 6S6 120V AC Candelabra Screw; B - 313, T3 3/4" 28V Min. Bayonet
 ***Red lamp replacement - 24V: P-036350-0001; 120V: P-008636-0001